

- (a) Explain the two methods of ranging with a neat sketch. (04)
- (b) Discuss the classification of survey based on instruments, methods, purposes and nature of field. (10)

Q-3 Attempt all questions

- (a) Define contours & its uses? Discuss the characteristics with the help of neat sketches. (04)
- (b) Explain the various classification of direct leveling with neat sketches. (10)

Q-4 Attempt all questions

- (a) Explain various types of lime. (06)
- (b) Explain the various types of cement used for construction. (04)
- (c) Write short notes on metals with its uses and properties. (04)

Q-5 Attempt all questions

- (a) Explain briefly the requirements of stone suitable for construction. Enlist the types of stones with its uses. (06)
- (b) What are the uses and application of GPS? (04)
- (c) Write short notes on the importance of sand and aggregate in construction. (04)

Q-6 Attempt all questions

- (a) A T-shaped bracket supports the four loads shown in Figure.1. Determine the reactions at A and B (a) if $a = 10\text{ m}$; (b) $a = 7\text{ m}$. (08)
- (b) Determine magnitude and resultant force of the force system shown in figure.2. (06)

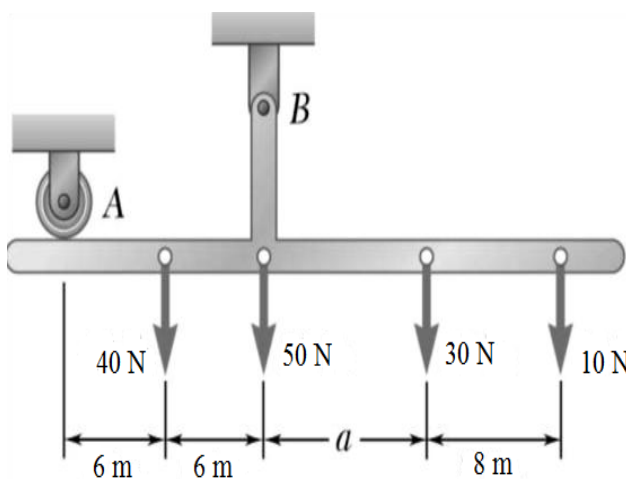


Figure.1.

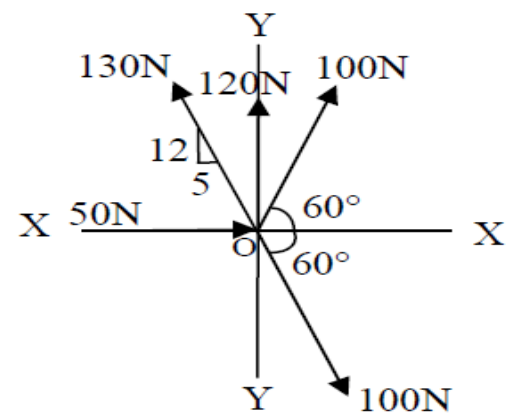


Figure.2.



Q-7

Attempt all questions

(a) Determine the forces in all the members of the truss shown in Figure.3.

(14)

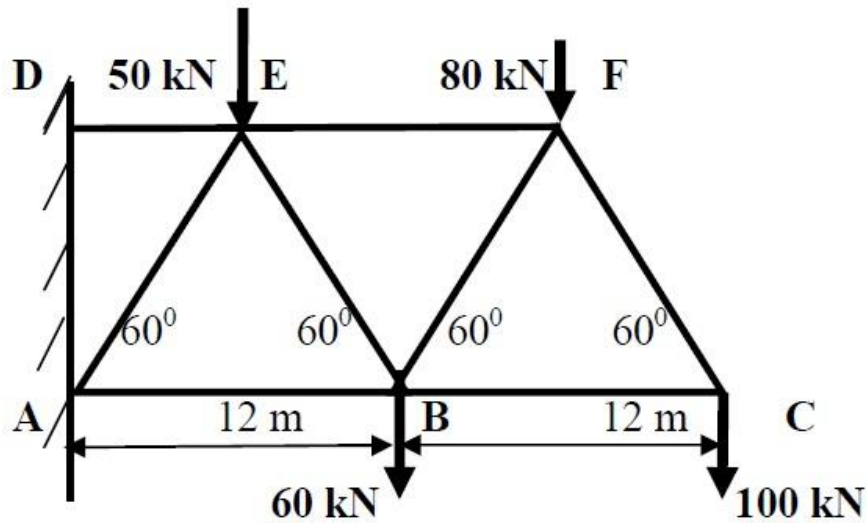


Figure.3.

Q-8

Attempt all questions

(a) Find the centroid of a section shown in the figure.4.

(04)

(b) Determine the I_{yy} of section shown in Figure.5.

(10)

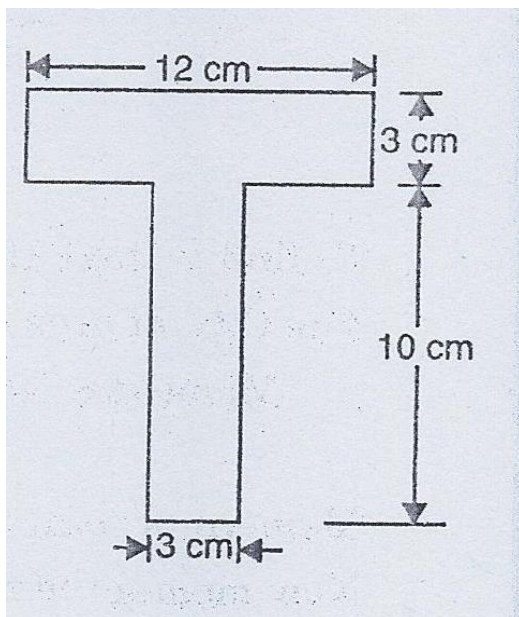


Figure.4.

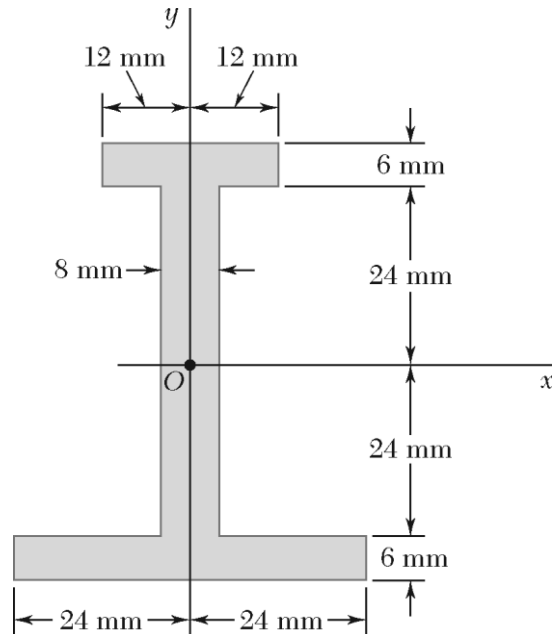


Figure.5.

